



STATUTORY DECLARATION
Registration of Fittings

In this space, show facsimile of manufacturer's logo or trademark as it will appear on the fitting.

Swagelok

I, David H. Peace,

Vice President of Engineering

(company title, e.g. vice president, plant manager, chief engineer) (must be in a position of authority)

of Swagelok Company

(name of manufacturer)

located at Headquarters: 29500 Solon Road, Solon, Ohio 44139 USA (See Attachment A)

(plant address)

do solemnly declare that the fittings listed hereunder, which are subject to the Safety Codes Act (check one)

[X] comply with the requirements of ASME B31.1 and ASME B31.3 which specifies the dimensions, (title of recognized North American Standard)

materials of construction, pressure/temperature ratings and identification marking of the fittings, or

[] are not covered by the provisions of a recognized North American standard and are therefore manufactured to comply with as supported by the attached data which identifies the dimensions, materials of construction, pressure/temperature ratings and the basis for such ratings, and the marking of the fittings for identification.

I further declare that the manufacture of these fittings is controlled by a quality control program which has been verified by the following authority, British Standards Institution as being suitable for the manufacture of these fittings to the stated standard. The fittings covered by this declaration, for which I seek registration, are Category "C" Type Fittings

In support of this application, the following information, calculations and/or test data are attached:

Attachment A, Attachment B, Support Documents, Catalog Information, ISO 9001:2008 Certificate

Items To Be Registered: Swagelok General Utility Service (GU Series) Needle Valves

DECLARED before me at Solon in the State of Ohio this 14th day of January 2016 (Month) (Year) Jamie L. Ristau Resident Portage County Notary Public, State of Ohio My Commission Expires: 03/06/2019 (Signature of Applicant)

For Office Use Only

To the best of my knowledge and belief, the application meets the requirements of the Safety Codes Act and CSA Standard B51, Clause 4.2, and is accepted for registration in Category

Registration Number: 0C18297.52

Date Registered: 2016-04-29 (For the Administrator/Chief Inspector of Alberta) Expiry Date: 2026-03-02

Attachment B. Scope of Registration for Swagelok General Utility Service Needle Valve (Category C)

Product Scope

This document represents the scope of Swagelok General Utility Service Needle Valve covered by this submission for CRN approval. The Swagelok GU Series Needle Valves were designed and evaluated in accordance with ASME B31.1 and ASME B31.3 as unlisted components.

Summary Table

Product Description or Series	Main Pressure Bearing Components	Material / Specification	End Connections and End Connection Sizes	Minimum Temperature	Maximum Allowable Working Pressure (psig)		Design Code of Construction
					At 70°F	At 650°F	
4GU	Body, Bonnet	316 SS / ASTM A479	Female NPT: 1/4", 3/8", 1/2" Male NPT 1/4", 3/8", 1/2" Tube Socket Weld: 1/4", 3/8", 1/2"; 6mm, 8mm, 10mm, 12mm	-20°F	6000	3660	ASME B31.1 ASME B31.3
8GU	Body, Bonnet	316 SS / ASTM A479	Female NPT: 1/2", 3/4", 1" Male NPT: 1/2", 3/4", 1" Tube Socket Weld: 1/2", 3/4", 1"; 12mm, 14mm, 16mm	-20°F	6000	3660	ASME B31.1 ASME B31.3
16GU PS-48306	Body, Bonnet	316 SS / ASTM A479	Female NPT: 3/4", 1" Male NPT: 3/4", 1" Tube Socket Weld: 3/4", 1"; 14mm, 16mm, 18mm, 25mm	-20°F	4500	3660	ASME B31.1 ASME B31.3

ASCA

REGULATORY ACT - PROVINCE OF ALBERTA

REGISTRATION OF FITTINGS

REGISTRATION NO. **0018297.52**

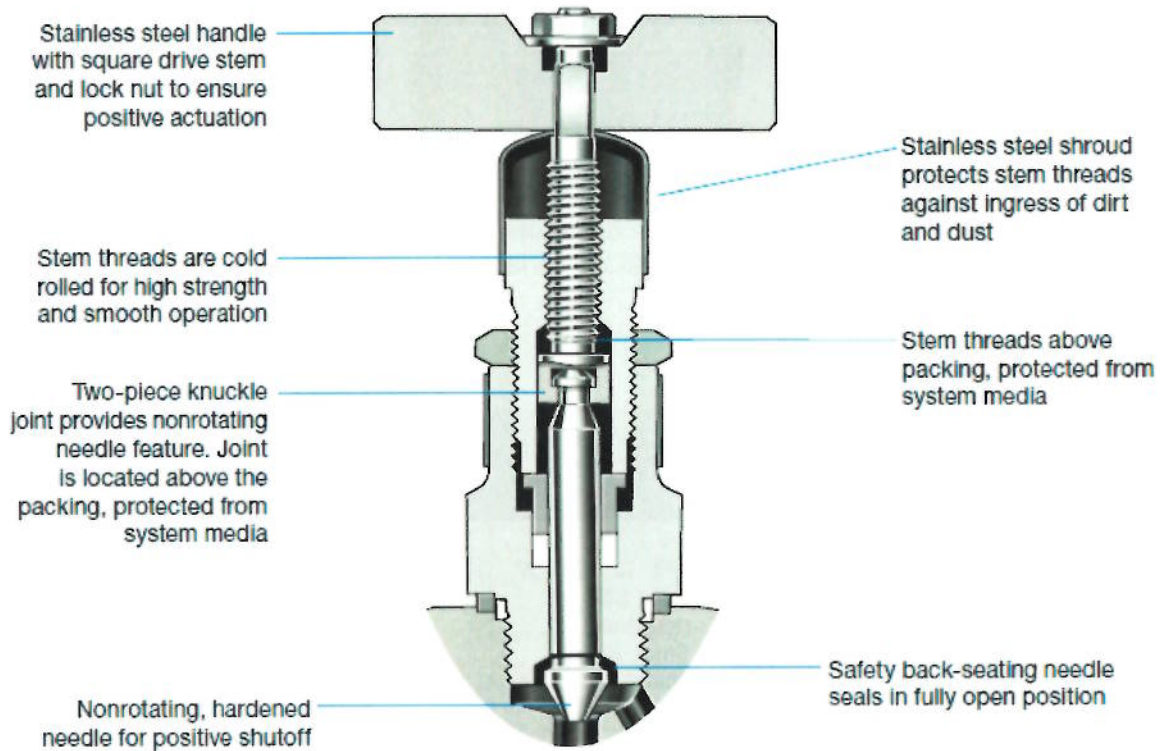
REG. NO. OR CAT. NO. M5-02-312 Catalogue

TYPE OF FITTINGS Needle Valve

Date 2016-04-29 INITIALS [Signature]

XING LIU, P.Eng.
DESIGN SURVEY ENGINEER

Product Drawings/Configurations



Typical Product Characteristics:

Some of the product options listed below affect the pressure-temperature ratings shown in the Summary Table, but in all cases the ratings are less than those shown in the Summary Table. All of the following options are within the scope of this registration:

PTFE packing material
Graphite packing material

Some of the product options listed below do not affect the pressure-temperature ratings shown in the Summary Table. All of the following options are within the scope of this registration:

Straight or Angle-Pattern Bodies
Male or Female End Connections
High-Temperature Seals
Anti-tamper Handles
Round Lockable Handles
Cleaning Options

Quality System

The Swagelok Company quality system complies with the requirements of BS EN ISO 9001:2008. The Swagelok Company maintains British Standards Institution Certificate of Registration Number FM 01729, which applies to all locations listed on the Certificate. The Swagelok GU Series Needle Valves are manufactured at a Swagelok Company locations in Solon, Ohio.

Special Ordering Instructions

SS-16GU must be ordered with Process Sheet PS-48306 to ensure that the correct rating is marked on the valve.

References

The product catalog does not represent the full scope of registration, but rather details some of the most common options.

- General Utility Service Needle Valves MS-02-312

0078297.52