



Technical Standards and Safety Authority
345 Carlingview Drive
Toronto, Ontario M9W 6N9
www.tssa.org

Show facsimile of manufacturer's logo or trademark, as it will appear on the fitting, in the space below

Swagelok

STATUTORY DECLARATION Registration of Fittings

I, Joel Feldman, Vice President of Engineering
(Name and Position, e.g. President, Plant Manager, Chief Engineer)

of Swagelok Company
(Name of Manufacturer)

Located at 29500 Solon Road, Solon, Ohio 44139 USA (440) 248-4600 (440) 349-5970
(Plant Address) (Telephone No.) (Fax No.)

do solemnly declare that the fittings listed hereunder, which are subject to the *Technical Standards and Safety Act*, Boilers and Pressure Vessels Regulation, comply with all of the requirements of ASME B31.3
(Title of recognized North American Standard)

which specifies the dimensions, materials of construction, pressure/temperature ratings, identification marking the fittings and service;

or are not covered by the provisions of a recognized North American standard and are therefore manufactured to comply with _____ as supported by the attached data which identifies the dimensions, material of construction, pressure/temperature ratings and the basis for such ratings, the marking of the fitting for identification and service.

I further declare that the manufacture of these fittings is controlled by a quality system meeting the requirements of ISO 9001:2015 which has been verified by the following authority, BSI

The items covered by this declaration, for which I seek registration, are category F. Measuring Devices type fittings. In support of this application, the following information and/or test data are attached as follows:

ISO 9001:2015 Certificate, Attachment A, Attachment B, Catalog Information and other Support Documents
(drawings, calculations, test reports, etc.)

Declared before me at _____ in the _____ of _____
the _____ day of _____ AD 20_____.

Commissioner for Oaths:

Unable to get a notary signature or seal due to COVID-19 situation
(Printed name)

(Signature)

DocuSigned by:

3/25/2021 | 10:45 AM ET

C87CBBFFD3F14B7
(Signature of Declarer)

FOR OFFICE USE ONLY

To the best of my knowledge and belief, the application meets the requirements of the *Technical Standards and Safety Act*, Boilers and Pressure Vessels Regulation, and CSA Standard B51 and is accepted for registration in Category F

CRN: 0F21398.25

Registered by: LILIANA CONSTANTINESCU

Dated: JUNE 7, 2021

NOTE: This registration expires on: APR 14, 2031



This Document has been digitally signed. The stamp size has been optimized for 11 x 17 documents

Technical Standards and Safety Authority
Boilers and Pressure Vessels Safety Program

REGISTERED

C.R.N.: 0F21398.25

Signed: ll

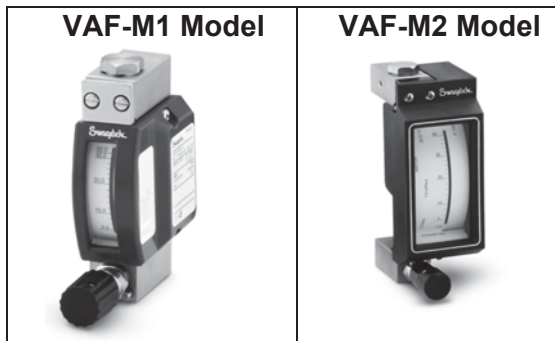
Date: June 7, 2021.

Attachment B. Scope of Registration for Swagelok M1, M2 Model Variable Area Flow Meters (Category F)

Product Scope

This document represents the scope of Swagelok’s M1 and M2 model Variable Area Flowmeters covered by this CRN approval. These flowmeters have been evaluated in accordance with appropriate North American standards. See the table below for specific design codes of construction for each product series.

Product Description

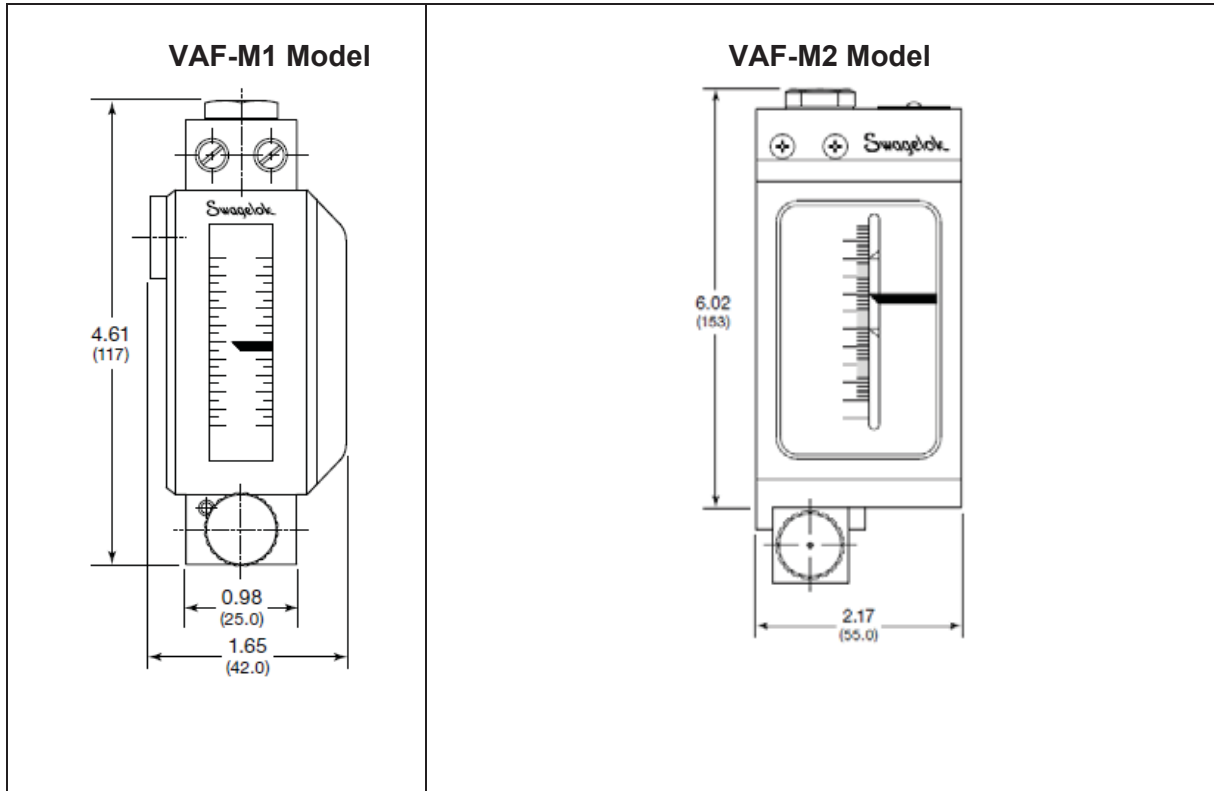


THIS IS PART OF CRN
 0F21398.25
 Technical Standards and Safety Authority
 Boilers and Pressure Vessels Safety
 Program

Summary Table

Model	Material	Port Connections and Sizes	Max. Inlet Pressure at 70° F (psig)	Min. Temperature Rating (°F)	Max. Temperature Rating (°F)	Design Code of Construction
VAF-M1	316L SS	NPT 1/4"	1885	-4	302	ASME B31.3
VAF-M2	316L SS	NPT 1/4"	1885	-4	302	ASME B31.3

Sample Drawings with Nominal Dimensions



Product Options:

Additional options and non-pressure boundary alterations that do not affect the pressure-temperature ratings may be made available within the scope of this approval. Examples of these include the following:

- Gasket or O-ring materials
- Limit switches
- Top-mounted needle valve
- Silconert coating
- Special cleaning
- Electronic (LED) display

Quality System

The Swagelok Company quality system complies with the requirements of EN ISO 9001:2015. The Swagelok Company maintains British Standards Institution Certificate of Registration Number FM 01729, which applies to all locations listed on the Certificate.

References

The product catalog does not represent the full scope of the registration but rather details some of the most common options.

- Variable Area Flowmeters, G Series and M Series, Product Catalog MS-02-346 Rev. H

Attachment A. Manufacturing Locations

This document lists the location where end item manufacturing activities take place.

Krohne Messtechnik GmbH
Ludwig-Krohne-Str. 5
47058 Duisburg
Germany

THIS IS PART OF CRN

0F21398.25

Technical Standards and Safety Authority

Boilers and Pressure Vessels Safety
Program



Technical Standards and Safety Authority
345 Carlingview Drive
Toronto, Ontario M9W 6N9
www.tssa.org

Show facsimile of manufacturer's logo or trademark, as it will appear on the fitting, in the space below

Swagelok

STATUTORY DECLARATION Registration of Fittings

I, Joel Feldman, Vice President of Engineering
(Name and Position, e.g. President, Plant Manager, Chief Engineer)

of Swagelok Company
(Name of Manufacturer)

Located at 29500 Solon Road, Solon, Ohio 44139 USA (440) 248-4600 (440) 349-5970
(Plant Address) (Telephone No.) (Fax No.)

do solemnly declare that the fittings listed hereunder, which are subject to the *Technical Standards and Safety Act*, Boilers and Pressure Vessels Regulation, comply with all of the requirements of ASME VIII Div. 1, ASME B31.1, and ASME B31.3
(Title of recognized North American Standard)

which specifies the dimensions, materials of construction, pressure/temperature ratings, identification marking the fittings and service;

or are not covered by the provisions of a recognized North American standard and are therefore manufactured to comply with _____ as supported by the attached data which identifies the dimensions, material of construction, pressure/temperature ratings and the basis for such ratings, the marking of the fitting for identification and service.

I further declare that the manufacture of these fittings is controlled by a quality system meeting the requirements of ISO 9001:2015 which has been verified by the following authority, BSI

The items covered by this declaration, for which I seek registration, are category F. Measuring Devices type fittings. In support of this application, the following information and/or test data are attached as follows:

ISO 9001:2015 Certificate, Attachment A, Attachment B, Catalog Information and other Support Documents
(drawings, calculations, test reports, etc.)

Declared before me at _____ in the _____ of _____
the _____ day of _____ AD 20_____.

Commissioner for Oaths:

Unable to get a notary signature or seal due to COVID-19 situation
(Printed name)

(Signature)

DocuSigned by:

3/20/2021 | 4:16 PM ET

C87CBBFFD3F14B7
(Signature of Declarer)

FOR OFFICE USE ONLY

To the best of my knowledge and belief, the application meets the requirements of the *Technical Standards and Safety Act*, Boilers and Pressure Vessels Regulation, and CSA Standard B51 and is accepted for registration in Category F.

CRN: 0F23192.5

Registered by: LILIANA CONSTANTINESCU

Dated: APRIL 19, 2021



This Document has been digitally signed. The stamp size has been optimized for 11 x 17 documents

Technical Standards and Safety Authority
Boilers and Pressure Vessels Safety Program

REGISTERED

C.R.N.: 0F23192.5

Signed:

Date: April 19, 2021.

NOTE: This registration expires on: JANUARY 3, 2028

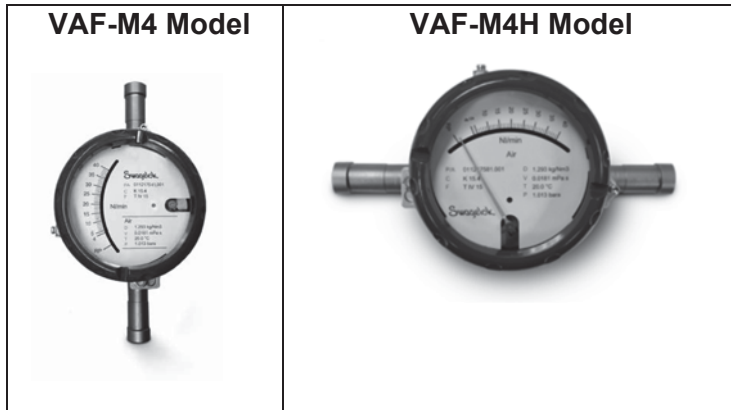
*Information provided in this application is releasable under the Freedom of Information and Privacy Protection Act and may be disclosed upon request.

**Attachment B. Scope of Registration for Swagelok M4, M4H Model
 Variable Area Flowmeters (Category F)**

Product Scope

This document represents the scope of Swagelok’s M4 and M4H model Variable Area Flowmeters covered by this CRN approval. These flowmeters have been evaluated in accordance with appropriate North American standards. See the table below for specific design codes of construction for each product series.

Product Description

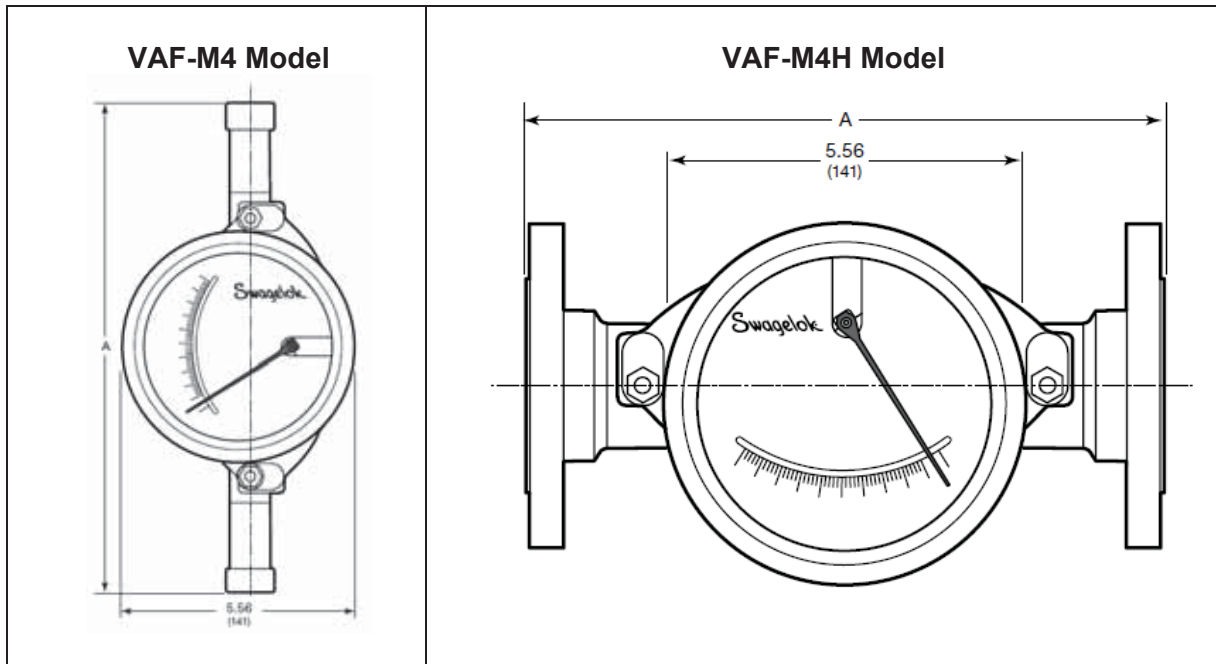


**THIS IS PART OF CRN
 0F23192.5**
 Technical Standards and Safety Authority
 Boilers and Pressure Vessels Safety
 Program

Summary Table

Model	Material	Port Connections and Sizes	Max. Inlet Pressure at 70° F (psig)	Min. Temperature Rating (°F)	Max. Temperature Rating (°F)	Design Code of Construction
VAF-M4 (1/2 inch dia. Tube)	316L SS	NPT 1/2", 3/4" ASME flange 1/2", 3/4", 1"	2888	-40	572	ASME Section VIII Division 1, ASME B31.1, ASME B31.3
VAF-M4 (1 inch dia. Tube)	316L SS	NPT 3/4", 1" ASME flange 3/4", 1"	1393	-40	572	ASME Section VIII Division 1; ASME B31.1; ASME B31.3
VAF-M4H (1/2 inch dia. Tube)	316L SS	NPT 3/4" ASME flange 1/2", 3/4", 1"	2888	-40	572	ASME Section VIII Division 1; ASME B31.1; ASME B31.3
VAF-M4H (1 inch dia. Tube)	316L SS	NPT 1-1/4" ASME flange 1"	1393	-40	572	ASME Section VIII Division 1; ASME B31.1; ASME B31.3

Sample Drawings with Nominal Dimensions



Product Options:

Additional options and non-pressure boundary alterations that do not affect the pressure-temperature ratings may be made available within the scope of this approval. Examples of these include the following:

- Gasket or O-ring materials
- Limit switches
- Top-mounted needle valve
- Silconert coating
- Special cleaning
- Electronic (LED) display

THIS IS PART OF CRN
0F23192.5
Technical Standards and Safety Authority
Boilers and Pressure Vessels Safety
Program

Quality System

The Swagelok Company quality system complies with the requirements of EN ISO 9001:2015. The Swagelok Company maintains British Standards Institution Certificate of Registration Number FM 01729, which applies to all locations listed on the Certificate.

References

The product catalog does not represent the full scope of the registration but rather details some of the most common options.

- Variable Area Flowmeters, G Series and M Series, Product Catalog MS-02-346 Rev. H

Attachment A. Manufacturing Locations

This document lists the location where end item manufacturing activities take place.

Krohne Messtechnik GmbH
Ludwig-Krohne-Str. 5
47058 Duisburg
Germany

THIS IS PART OF CRN
0F23192.5
Technical Standards and Safety Authority
Boilers and Pressure Vessels Safety
Program