



Statutory Declaration Registration of Fittings

(a) Design Qualification

I¹ Joel Feldman
Vice President, Engineering
(Position eg, president, plant manager, chief eng.)

Of Swagelok Company
(name of company)

Located at Headquarters: 29500 Solon Road, Solon, Ohio 44139 USA (See Attachment A)
(plant address)

do solemnly declare that the fittings listed hereunder, which are subject to the Boilers & Pressure Vessels Act:

comply with all the requirements of the ANSI/ASME codes as to their dimensions, material, identification & service for which are required:

Or

are not covered by the provisions of the ANSI/ASME codes, and are therefore constructed to comply with _____
_____ code and standard, and are designed to the best current engineering practice, as shown by the supporting test data.

(b) Quality control of Manufacture

I further declare the manufacture of these fittings is controlled by a quality control program which complies with the requirements of ISO 9001:2015, and has been verified by the following authority or authorized agency BSI

The fittings² covered by this declaration, for which I seek registration, are Category F. Measuring Device

In support of the application, the following information, calculations and/or test data are attached:
ISO 9001:2015 Certificate, Attachment A, Attachment B, Catalog Information and other Support Documents

Declared before me at _____

In the of Unable to get a notary signature or seal due to COVID-19 situation
The ___ Day of _____ AD 20___
A (commissioner for oaths)

DocuSigned by:

C87CBBFFD3F14B7
3/25/2021 | 10:45 A
Signature of Déclarer³

For Official Use Only

The application is accepted for registration in Category _____ in accordance with the Boilers and Pressure Vessels Act and CSA Standard B51.

This registration must be revalidated after ten (10) years from the date of acceptance.

Registered Number CRN _____
_____ 0F21398.26
29 avril 2021

For the Chief Inspector _____
Date _____



- 1 **Three completed copied of Statutory Declaration form together with three copies of Catalogs, drawings of Bulletins illustrating above fittings shall be submitted.**
- 2 **All fittings are required to be registered in the name of the Manufacturer.**
- 3 **This form shall be completed and signed by the president of highest official in the manufacturing plan where the fitting is produced.**

**Attachment B. Scope of Registration for Swagelok M1, M2 Model
 Variable Area Flow Meters (Category F)**

Product Scope

This document represents the scope of Swagelok’s M1 and M2 model Variable Area Flowmeters covered by this CRN approval. These flowmeters have been evaluated in accordance with appropriate North American standards. See the table below for specific design codes of construction for each product series.

Product Description



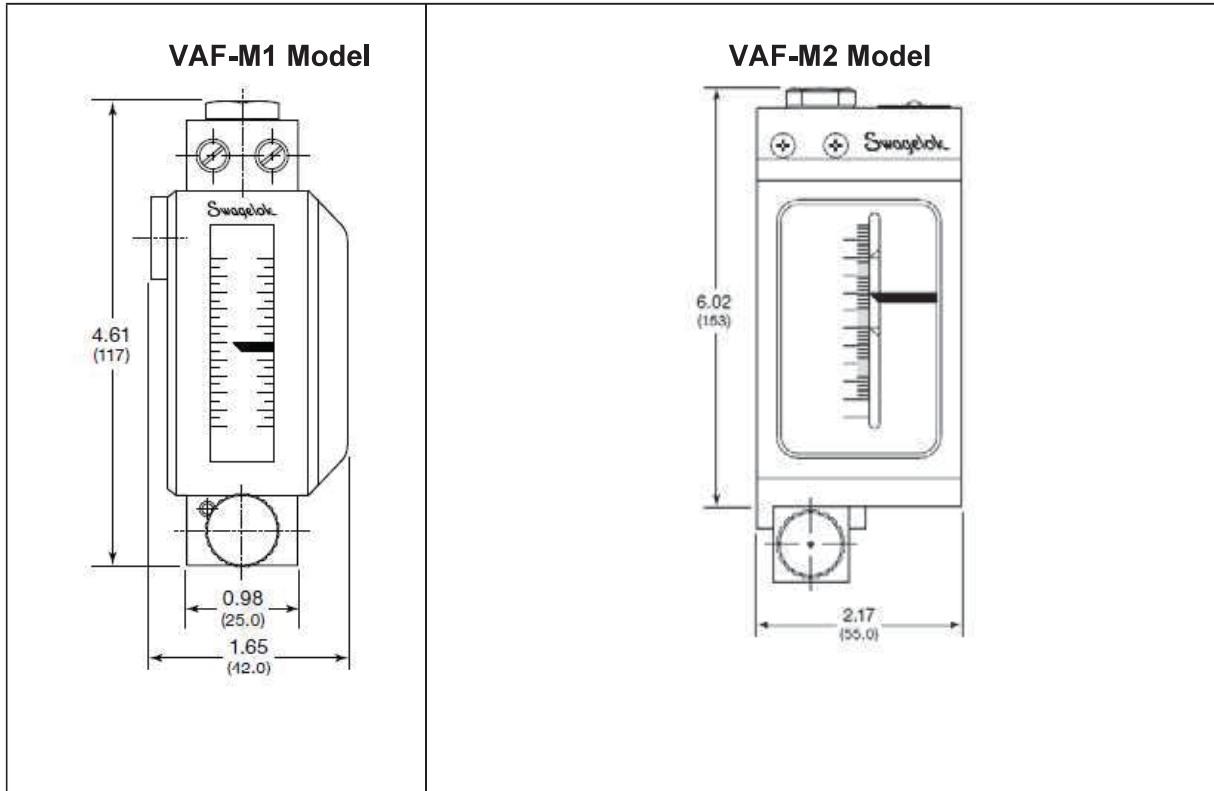
Summary Table

Model	Material	Port Connections and Sizes	Max. Inlet Pressure at 70° F (psig)	Min. Temperature Rating (°F)	Max. Temperature Rating (°F)	Design Code of Construction
VAF-M1	316L SS	NPT 1/4"	1885	-4	302	ASME B31.3
VAF-M2	316L SS	NPT 1/4"	1885	-4	302	ASME B31.3

0F21398.26
 29 avril 2021



Sample Drawings with Nominal Dimensions



Product Options:

Additional options and non-pressure boundary alterations that do not affect the pressure-temperature ratings may be made available within the scope of this approval. Examples of these include the following:

- Gasket or O-ring materials
- Limit switches
- Top-mounted needle valve
- Silconert coating
- Special cleaning
- Electronic (LED) display

Quality System

The Swagelok Company quality system complies with the requirements of EN ISO 9001:2015. The Swagelok Company maintains British Standards Institution Certificate of Registration Number FM 01729, which applies to all locations listed on the Certificate.

References

The product catalog does not represent the full scope of the registration but rather details some of the most common options.

- Variable Area Flowmeters, G Series and M Series, Product Catalog MS-02-346 Rev. H

Attachment A. Manufacturing Locations

This document lists the location where end item manufacturing activities take place.

Krohne Messtechnik GmbH
Ludwig-Krohne-Str. 5
47058 Duisburg
Germany

THIS IS PART OF CRN

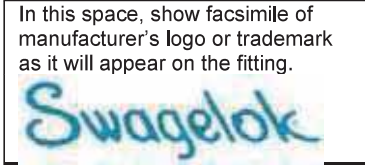
0F21398.25

Technical Standards and Safety Authority

Boilers and Pressure Vessels Safety
Program

STATUTORY DECLARATION Registration of Fittings

I, Joel Feldman, Vice President, Engineering of Swagelok Company



located at 29500 Solon Road, Solon, Ohio 44139 USA

do solemnly declare that the fittings listed hereunder, which are subject to the Safety Codes Act (check one)

[X] comply with the requirements of ASME VIII Div. 1, B31.1, and B31.3 which specifies the dimensions, materials of construction, pressure/temperature ratings and identification marking of the fittings, or

[] are not covered by the provisions of a recognized North American standard and are therefore manufactured to comply with

as supported by the attached data which identifies the dimensions, materials of construction, pressure/temperature ratings and the basis for such ratings, and the marking of the fittings for identification.

I further declare that the manufacture of these fittings is controlled by a quality control program which has been verified by the following authority, BSI as being suitable for the manufacture of these fittings to the stated standard.

The fittings covered by this declaration, for which I seek registration, are Category F Type Fittings

In support of this application, the following information, calculations and/or test data are attached: ISO 9001:2015 Certificate, Attachment A, Attachment B, Catalog Information and other Support Documents

DECLARED before me at in the of this day of

(city) (Month) (Year)

Unable to get a notary signature or seal due to COVID-19 situation

DocuSigned by: [Signature] 3/20/2021 | 4:16 PM EST

For ABSA Office Use Only:

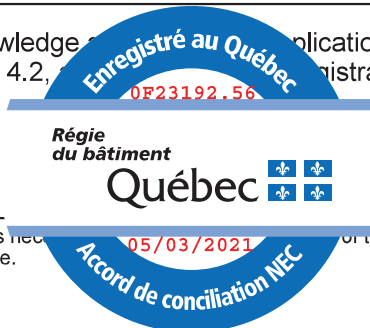
NOTES:

To the best of my knowledge this application meets the requirements of the Safety Codes Act and CSA Standard B51, Clause 4.2, Registration in Category

Registration Number: (Signature of the Administrator/SCO)

Date Registered: Expiry Date:

The information you provide is needed for the programs as required by the Alberta Safety Codes Act and Regulations in the Pressure Equipment Discipline.

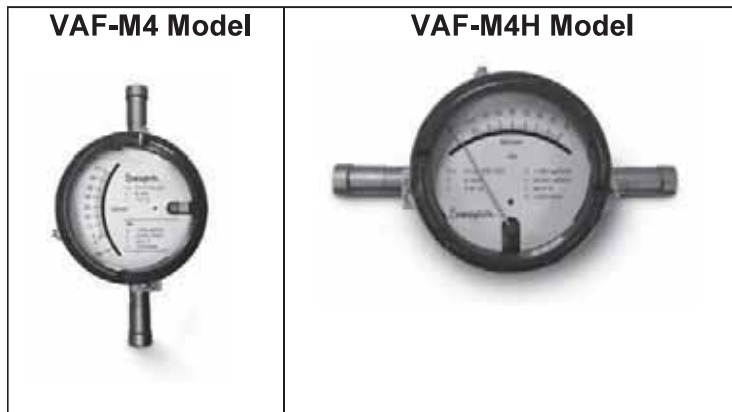


Attachment B. Scope of Registration for Swagelok M4, M4H Model Variable Area Flowmeters (Category F)

Product Scope

This document represents the scope of Swagelok’s M4 and M4H model Variable Area Flowmeters covered by this CRN approval. These flowmeters have been evaluated in accordance with appropriate North American standards. See the table below for specific design codes of construction for each product series.

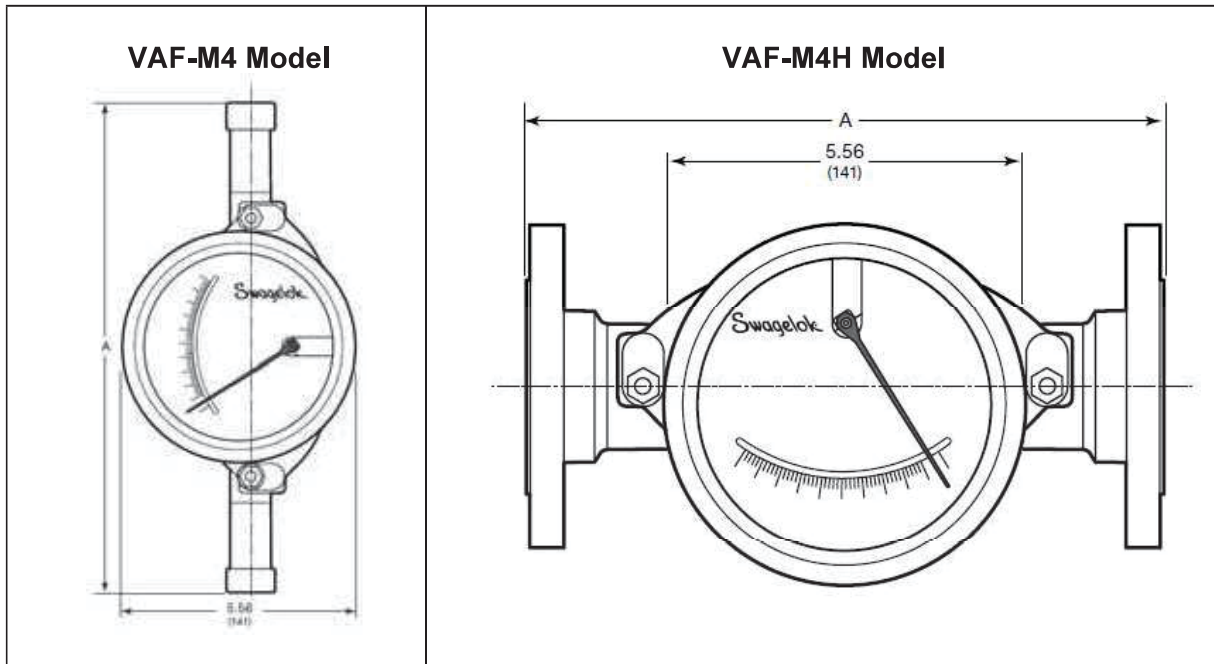
Product Description



Summary Table

Model	Material	Port Connections and Sizes	Max. Inlet Pressure at 70° F (psig)	Min. Temperature Rating (°F)	Max. Temperature Rating (°F)	Design Code of Construction
VAF-M4 (1/2 inch dia. Tube)	316L SS	NPT 1/2", 3/4" ASME flange 1/2", 3/4", 1"	2888	-40	572	ASME Section VIII Division 1, ASME B31.1, ASME B31.3
VAF-M4 (1 inch dia. Tube)	316L SS	NPT 3/4", 1" ASME flange 3/4", 1"	1393	-40	572	ASME Section VIII Division 1; ASME B31.1; ASME B31.3
VAF-M4H (1/2 inch dia. Tube)	316L SS	NPT 3/4" ASME flange 1/2", 3/4", 1"	2888	-40	572	ASME Section VIII Division 1; ASME B31.1; ASME B31.3
VAF-M4H (1 inch dia. Tube)	316L SS	NPT 1-1/4" ASME flange 1"	1393	-40	572	ASME Section VIII Division 1; ASME B31.1; ASME B31.3

Sample Drawings with Nominal Dimensions



Product Options:

Additional options and non-pressure boundary alterations that do not affect the pressure-temperature ratings may be made available within the scope of this approval. Examples of these include the following:

- Gasket or O-ring materials
- Limit switches
- Top-mounted needle valve
- Silconert coating
- Special cleaning
- Electronic (LED) display

Quality System

The Swagelok Company quality system complies with the requirements of EN ISO 9001:2015. The Swagelok Company maintains British Standards Institution Certificate of Registration Number FM 01729, which applies to all locations listed on the Certificate.

References

The product catalog does not represent the full scope of the registration but rather details some of the most common options.

- Variable Area Flowmeters, G Series and M Series, Product Catalog MS-02-346 Rev. H

Attachment A. Manufacturing Locations

This document lists the location where end item manufacturing activities take place.

Krohne Messtechnik GmbH
Ludwig-Krohne-Str. 5
47058 Duisburg
Germany

