



TECHNICAL STANDARDS &
SAFETY AUTHORITY
14th Floor, Centre Tower
3300 Bloor Street West
Toronto, Ontario
Canada M8X 2X4

Show facsimile of manufacturer's logo or trademark, as it will appear on the fitting, in the space below

Swagelok

STATUTORY DECLARATION Registration of Fittings

I, David H. Peace, Vice President of Engineering
(Name and Position, e.g. President, Plant Manager, Chief Engineer)

of Swagelok Company
(Name of Manufacturer)

Located at 29500 Solon Road, Solon, Ohio 44139 USA (See Attachment A) (440) 248-4600 (440) 349-5970
(Plant Address) (Telephone No.) (Fax No.)

do solemnly declare that the fittings listed hereunder, which are subject to the **Technical Standards and Safety Act**, Boilers and Pressure Vessels Regulation, comply with all of the requirements of ASME B31.1 and ASME B31.3, for unlisted components where applicable
(Title of recognized North American Standard)
which specifies the dimensions, materials of construction, pressure/temperature ratings, identification marking the fittings and service;

or are not covered by the provisions of a recognized North American standard and are therefore manufactured to comply with _____ as supported by the attached data which identifies the dimensions, material of construction, pressure/temperature ratings and the basis for such ratings, the marking of the fitting for identification and service.

I further declare that the manufacture of these fittings is controlled by a quality system meeting the requirements of ISO 9001:2008 which has been verified by the following authority, The British Standards Institution.

The items covered by this declaration, for which I seek registration, are category C (Swagelok GU Series Valves) type fittings. In support of this application, the following information and/or test data are attached as follows:

Attachment A, Attachment B, Support Documents, Catalog Information, ISO 9001:2008 Certificate
(drawings, calculations, test reports, etc.)

Declared before me at Solon in the State of Ohio
the 14th day of January AD 20 16.

Commissioner for Oaths:
Jamie L Ristau
(Printed name)
Jamie L Ristau
(Signature)
Jamie L. Ristau
Resident Portage County
Notary Public, State of Ohio
My Commission Expires: 03/06/2019

[Signature]
(Signature of Declarer)

FOR OFFICE USE ONLY

To the best of my knowledge and belief, the application meets the requirements of the **Technical Standards and Safety Act**, Boilers and Pressure Vessels Regulation, and CSA Standard B51 and is accepted for registration in Category C

CRN: CSA-0C18297.56

Registered by: A. BANWATT

Dated: APRIL 18 2016

NOTE: This registration expires on: MARCH 02 2026

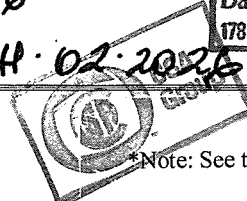
REGISTERED

CRN: CSA-0C18297.56

Signed: [Signature]

Date: 18/04/2016

178 Rexdale Boulevard, Toronto, ON Canada M9W 1R3




Attachment B. Scope of Registration for Swagelok General Utility Service Needle Valve (Category C)

Product Scope

This document represents the scope of Swagelok General Utility Service Needle Valve covered by this submission for CRN approval. The Swagelok GU Series Needle Valves were designed and evaluated in accordance with ASME B31.1 and ASME B31.3 as unlisted components.

Summary Table

Product Description or Series	Main Pressure Bearing Components	Material / Specification	End Connections and End Connection Sizes	Minimum Temperature	Maximum Allowable Working Pressure (psig)		Design Code of Construction
					At 70°F	At 650°F	
4GU	Body, Bonnet	316 SS / ASTM A479	Female NPT: 1/4", 3/8", 1/2" Male NPT 1/4", 3/8", 1/2" Tube Socket Weld: 1/4", 3/8", 1/2", 6mm, 8mm, 10mm, 12mm	-20°F	6000	3660	ASME B31.1 ASME B31.3
8GU	Body, Bonnet	316 SS / ASTM A479	Female NPT: 1/2", 3/4", 1" Male NPT: 1/2", 3/4", 1" Tube Socket Weld: 1/2", 3/4", 1"; 12mm, 14mm, 16mm	-20°F	6000	3660	ASME B31.1 ASME B31.3
16GU PS-48306	Body, Bonnet	316 SS / ASTM A479	Female NPT: 3/4", 1" Male NPT: 3/4", 1" Tube Socket Weld: 3/4", 1"; 14mm, 16mm, 18mm, 25mm	-20°F	4500	3660	ASME B31.1 ASME B31.3



2 OF 4

ATTACHMENT TO

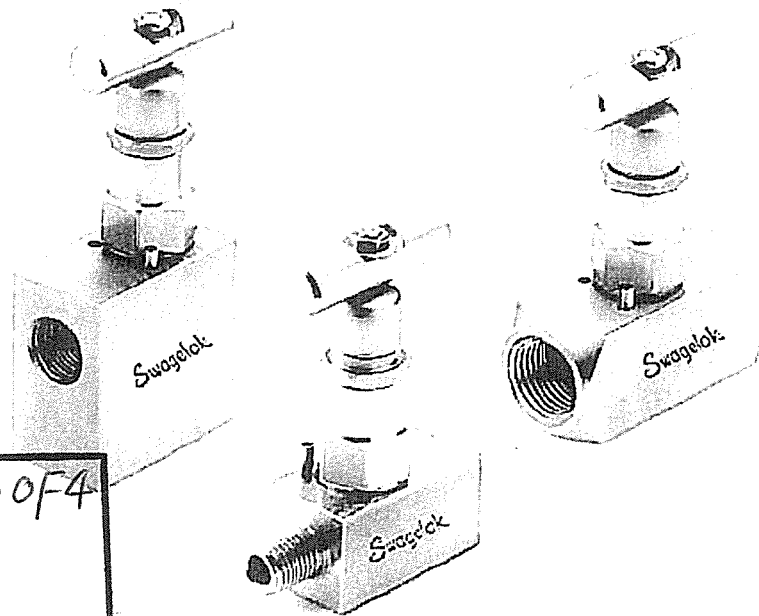
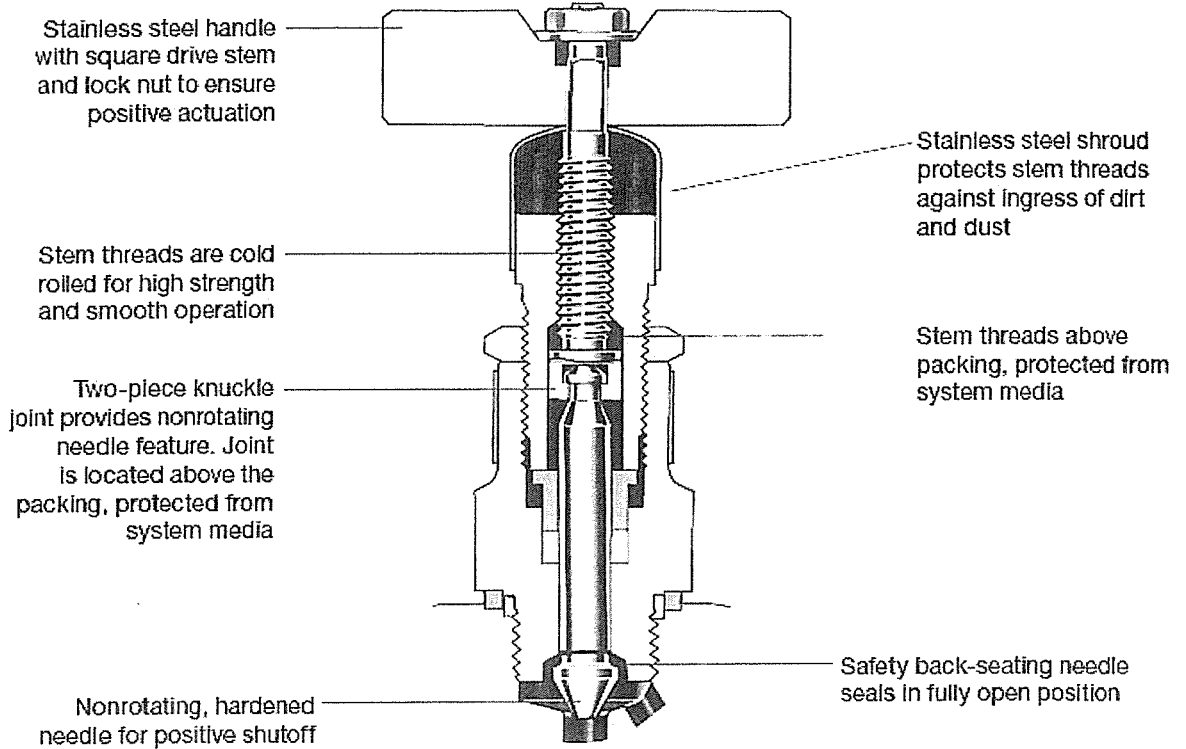
C.R.N.: CSA-OC18297.56


Signed: [Signature]

178 Rexdale Boulevard, Toronto, ON Canada M9W1R3

OC18297.5

Product Drawings/Configurations




 CSA Group
 30F4
 ATTACHMENT TO
 C.R.N.: CSA-OC18297.56
 Signed: [Signature]
 178 Rexdale Boulevard, Toronto, ON Canada M9W 1R3

178 TO
 C.R.N. OC18297.5
 [Faint, illegible text]

Typical Product Characteristics:

Some of the product options listed below affect the pressure-temperature ratings shown in the Summary Table, but in all cases the ratings are less than those shown in the Summary Table. All of the following options are within the scope of this registration:

PTFE packing material
Graphite packing material

Some of the product options listed below do not affect the pressure-temperature ratings shown in the Summary Table. All of the following options are within the scope of this registration:

Straight or Angle-Pattern Bodies
Male or Female End Connections
High-Temperature Seals
Anti-tamper Handles
Round Lockable Handles
Cleaning Options

Quality System

The Swagelok Company quality system complies with the requirements of BS EN ISO 9001:2008. The Swagelok Company maintains British Standards Institution Certificate of Registration Number FM 01729, which applies to all locations listed on the Certificate. The Swagelok GU Series Needle Valves are manufactured at a Swagelok Company locations in Solon, Ohio.


Special Ordering Instructions

SS-16GU must be ordered with Process Sheet PS-48306 to ensure that the correct rating is marked on the valve.

References

The product catalog does not represent the full scope of registration, but rather details some of the most common options.

- General Utility Service Needle Valves MS-02-312

 CSA Group 4074
ATTACHMENT TO
C.R.N. <u>CSA - 0018297.56</u>
Signed: <u>[Signature]</u>
178 Rexdale Boulevard, Toronto, ON Canada M9W 1R3

0018297.5